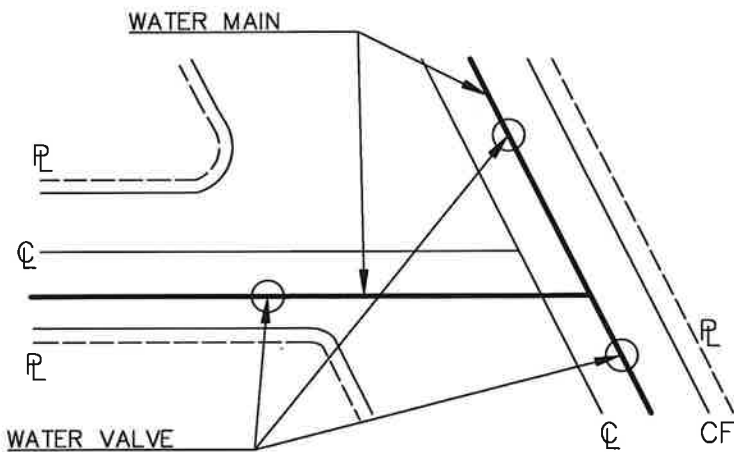
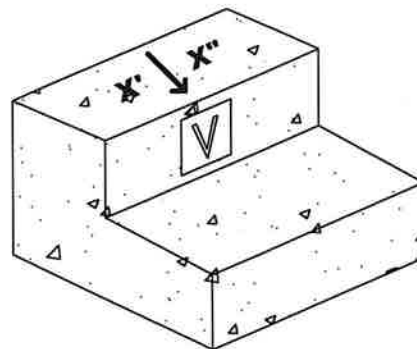


ARTERIAL HIGHWAYS



LOCAL STREETS/
ALLEYS



DETAIL A

WATER MAIN CONNECTIONS AT INTERSECTIONS

CITY OF MONTEREY PARK

PUBLIC WORKS DEPARTMENT - WATER DIVISION

STANDARD NO.

W-154

DRAWN	BY AM	DATE 10/02/24
REVISED	DZ	10/02/24
CHANGED	XX	XX/XX/XX

APPROVED
WATER UTILITY MANAGER

[Signature]

DATE 12/10/24

APPROVED
CITY ENGINEER

[Signature]

DATE 12/11/24

SHEET 1 OF 2

NOTES:

1. WATER VALVES SHALL BE INSTALLED AT EACH STREET INTERSECTION AND ON EACH PIPE RUN. THE VALVE SHALL BE LOCATED ON THE PROPERTY LINE EXTENDED FOR STREETS AND ALLEYS OR OPPOSITE CURB RETURNS ON ARTERIAL HIGHWAYS, SEE FIGURES SHEET 1.
2. THE MAXIMUM DISTANCE BETWEEN VALVES SHALL BE 600' (FEET). VALVES SHALL BE EQUALLY SPACED BETWEEN INTERSECTIONS OR CONNECTIONS.
3. WHERE WATER MAIN IS IN AN EASEMENT, THE MAIN SHALL HAVE A WATER VALVE AT EACH END OF THE EASEMENT.
4. REFLECTIVE "V" TILE SHALL BE PLACED ON CURB AS DIRECTED BY WATER UTILITY SEE DETAIL A.
 - 4.1. REFLECTIVE RED FOR FIRE HYDRANTS/FIRE LINE
 - 4.2. REFLECTIVE AMBER FOR ALL OTHERS
5. ALL WATER VALVES SHALL BE RESILIENT SEATED GATE VALVES, MANUFACTURES PER AWWA C509. VALVES SHALL BE NON-RINSING STEM, OPEN COUNTERCLOCKWISE, WITH MEGALUG JOINTS. VALVES SHALL BE EPOXY LINED AND COATED AND HAVE 316 STAINLESS STEEL HARDWARE.
6. BUTTERFLY VALVES, IN LIEU OF GATE VALVES, WILL BE DETERMINED BY DESIGN ENGINEER & SPECIFIED IN CONSTRUCTION PLANS WILL BE INSTALLED PER SECTION 2-05.02.
7. A VALVE BOX AND COVER SHALL BE INSTALLED AT EACH VALVE AND SHALL BE BROUGHT TO FINISH GRADE AT COMPLETION OF PAVING, PER STD W-150.
8. THRUST BLOCKS OR RESTRAINT SHALL BE CONSTRUCTED IN ACCORDANCE WITH STD W-140 THRU W-144.



WATER MAIN CONNECTIONS AT INTERSECTIONS

CITY OF MONTEREY PARK

PUBLIC WORKS DEPARTMENT - WATER DIVISION

STANDARD NO.

W-154

DRAWN	BY AM	DATE 10/02/24	APPROVED WATER UTILITY MANAGER		DATE 12/10/24
REVISD	DZ	10/02/24	APPROVED CITY ENGINEER		DATE 12/11/24
CHANGED	XX	XX/XX/XX			

SHEET 2 OF 2