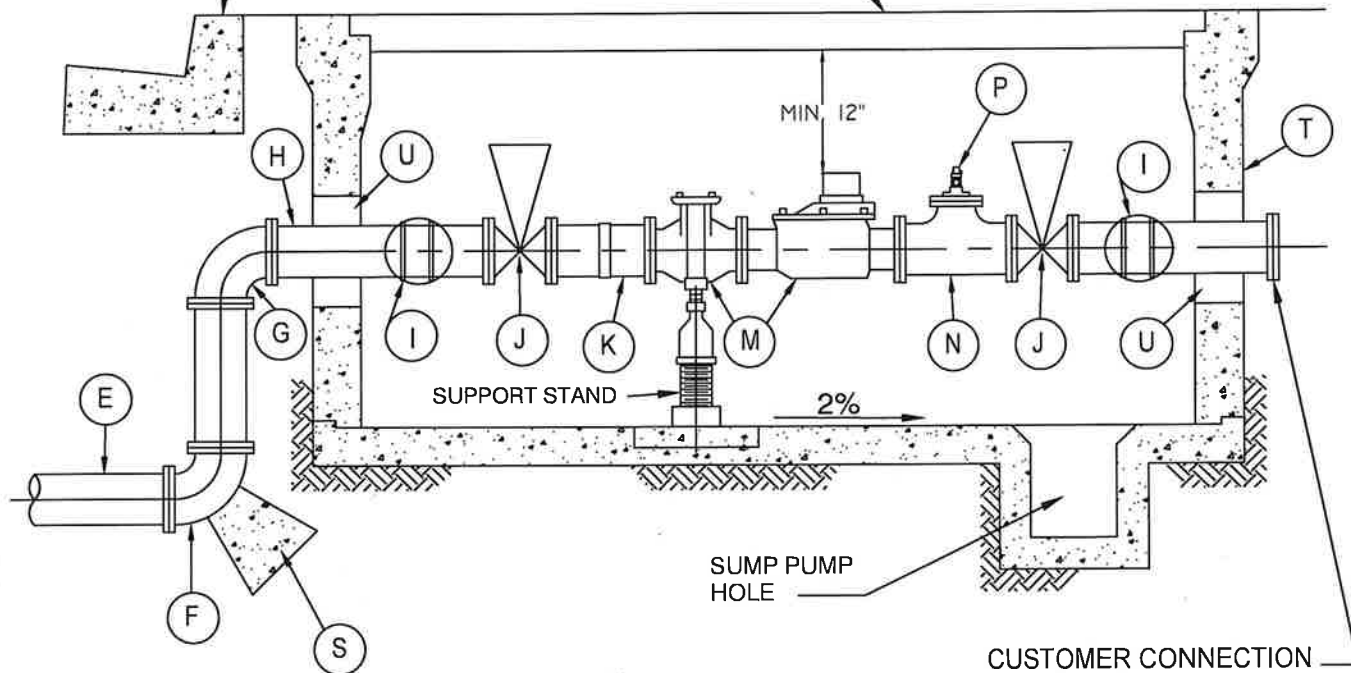


EXISTING CURB

FINISH SURFACE



### ELEVATION

NO SCALE

NOTES:

- 1. CITY TO REVIEW ALL VAULT SIZES AND DETERMINE LOCATION

## 3", 4", AND 6" METER & VAULT ASSEMBLY

### CITY OF MONTEREY PARK

PUBLIC WORKS DEPARTMENT - WATER DIVISION

STANDARD NO.

**W-230**

DRAWN	BY AM	DATE 10/02/24
REVISED	DZ	10/02/24
CHANGED	XX	XX/XX/XX

APPROVED  
WATER UTILITY MANAGER

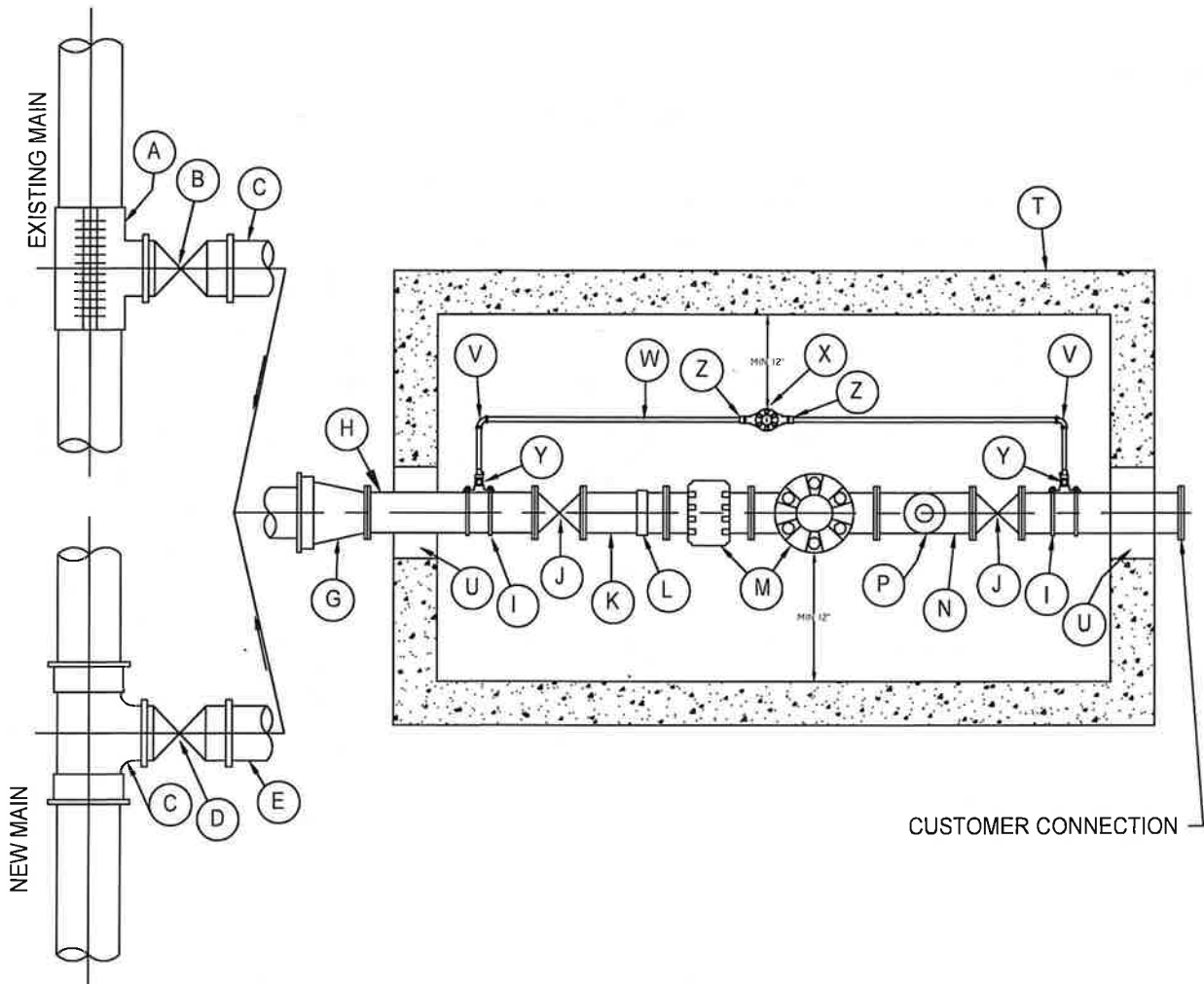
*[Signature]*  
*[Signature]*

DATE 12/10/24

APPROVED  
CITY ENGINEER

DATE 12/11/24

SHEET 1 OF 3



PLAN

NO SCALE

**3", 4", AND 6" METER & VAULT ASSEMBLY**

**CITY OF MONTEREY PARK**

PUBLIC WORKS DEPARTMENT - WATER DIVISION

STANDARD NO.

**W-230**

	BY	DATE
DRAWN	AM	10/02/24
REVISED	DZ	10/02/24
CHANGED	XX	XX/XX/XX

APPROVED  
WATER UTILITY MANAGER

*[Signature]*

DATE 12/10/24

APPROVED  
CITY ENGINEER

*[Signature]*

DATE 12/11/24

SHEET 2 OF 3

## LIST OF MATERIALS

ITEM	3" METER	4" METER	6" METER	DESCRIPTION
A	Main size x 4"	Main size x 4"	Main size x 6"	Bolted Tapping Sleeve Stainless Steel
B	4"	4"	6"	Flg x M.J. Tapping Valve AFC
C	Main size x 4"	Main size x 4"	Main size x 6"	M.J. x M.J. x Flg. Tee
D	4"	4"	6"	Flg x M.J. Gate Valve and box
E	4"	4"	6"	Class 52 D.I. Pipe
F	4"	4"	6"	M.J. x Flg Ell
G	--	4"	6"	Flg x Flg Ell (4" & 6")
G	4 x 3"	--	--	Flg x Flg Reducer Ell (3")
H	3"	4"	6"	Flg D.I. Spool (minimum 12" length)
I	3"	4"	6"	2" Saddle* Ford B202B
J	3"	4"	6"	Flg Gate Valve AFC
K	3" x 15"	4" x 20"	6" x 30"	Flg x Flg Nipple (cut in half)
L	3"	4"	6"	Flex Coupling (Romac 501 or equal)
M	3"	4"	6"	Meter & Strainer (provided by City)
N	3" x 12"	4" x 16"	6" x 24"	Flg x Flg Spool with 2-inch tap**
P	3"	4"	6"	Corp Stop**
S	--	--	--	Thrust Block, Std. Dwg. No. W-140
T	R37 P36 Pit	R37 P36 Pit	R37 P36 Pit***	Meter box and lid****
U	R37-54H Lid	R37-54H Lid	R37-54H Lid	with 3" layer of round rock under base 8" opening and grout

### 2" By-Pass\*

V	Swt x Swt 90° Bend
W	2" Copper 'K'
X	2" P.D. Meter (Supplied by the City)
Y	2" P.J. x M.I.P. Ball Valve w/ lockwing
Z	Swt x M.I.P. coupling

Meter lid to be steel-hinged, parkway cover, double leaf.

Reading lid to be centered over register and include hole for Radio read equipment.

\*By-Pass size as requested by customer.

\*\*Tap to be located at 2 pipe diameters downstream of meter flange  
(deleted for compound meter).

\*\*\*May require portion of piping outside vault.

\*\*\*\*(equivalent may be approved by Water Utility Manager).

## 3", 4", AND 6" METER & VAULT ASSEMBLY

### CITY OF MONTEREY PARK

PUBLIC WORKS DEPARTMENT - WATER DIVISION

STANDARD NO.

**W-230**

DRAWN	BY AM	DATE 10/02/24	APPROVED WATER UTILITY MANAGER	DATE 12/10/24
REVISED	DZ	10/02/24		
CHANGED	XX	XX/XX/XX	APPROVED CITY ENGINEER	DATE 12/11/24

SHEET 3 OF 3